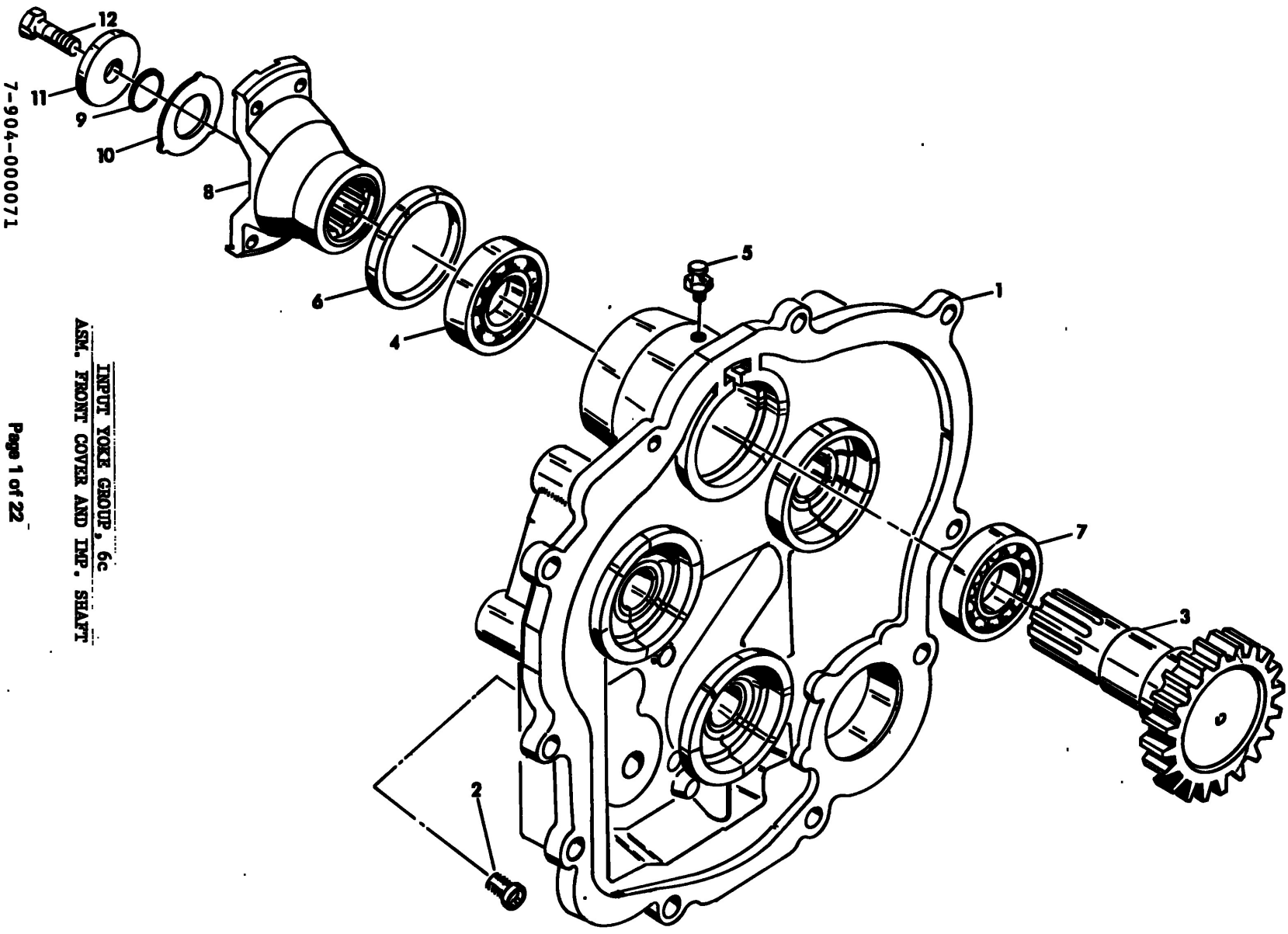


Manitowoc Crane Group



INPUT YOKE GROUP, 6c
ASM. FRONT COVER AND IMP. SHAFT

7-904-000071

Page 1 of 22

7904000071

(SHEET 1 OF 1)

36XXe 278